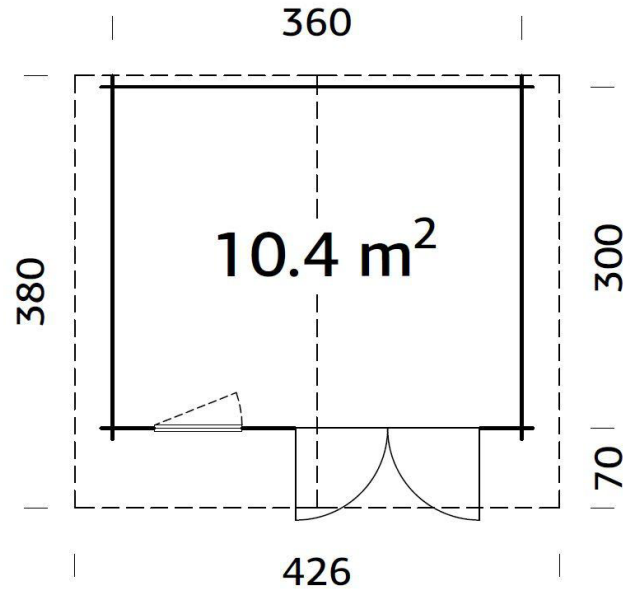


North Carolina



FULL SPECIFICATION

| | | | | | |
|--|---------------------------|----------------------------|--|------------------------------|------------------|
| | Wall Thickness | 34mm | | Roof Board | 19mm |
| | Wall Measurements | 360 x 300cm | | Floor Boards | 19mm |
| | Log Measurements | 380 x 320cm | | Type Door/Window | Garden |
| | Wall Height | 205cm | | Single Real Glass | |
| | Total Height | 257cm | | Door, Opening Measurements | 151 x 175cm |
| | Area | 10.4m ² | | Window, Opening Measurements | 66 x 89cm |
| | Volume | 23.9m ³ | | Pack Size | 4.5 x 1.2 x 0.7m |
| | Roof Overhang | 70cm | | Pack Weight | 884kg |
| | Roof Area / Roof Gradient | 16.8m ² / 16.2° | | | |

FLEXIBLE FINANCE OPTIONS AVAILABLE

